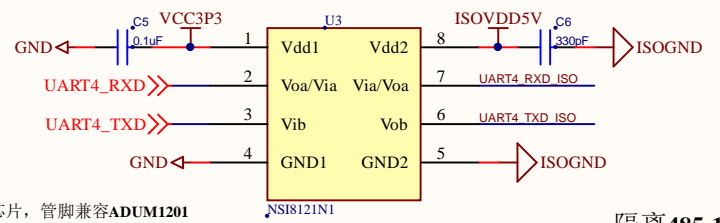
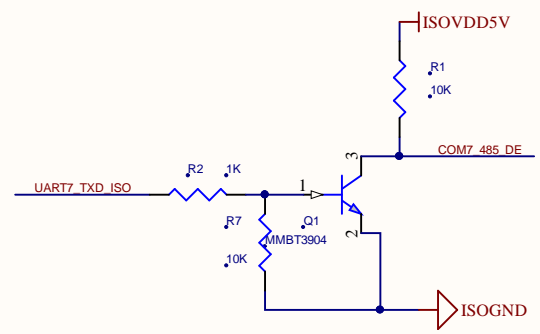
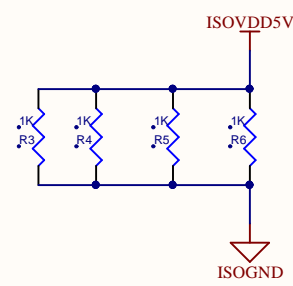
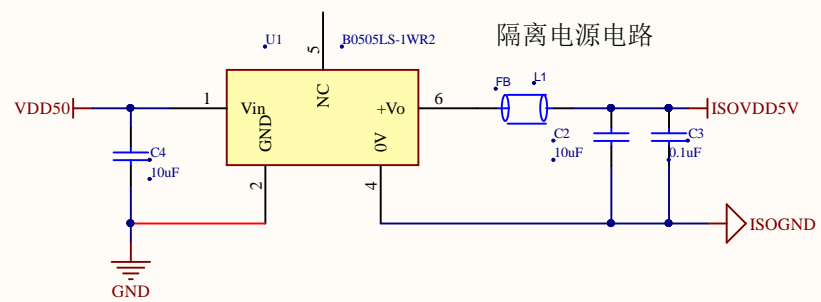


底板（树莓派）2\*20pin接口

4G/LORA/ZIGBEE/NBIOT扩展板接口

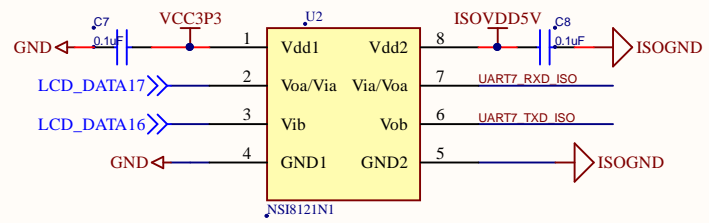
Title		
Size	Number	Revision
A4		
Date:	2020年07月09日 星期四	Sheet of
File:	F:\h6ul\1_interface.SchDoc	Drawn By:



NSI8121N1是国产隔离芯片，管脚兼容ADUM1201

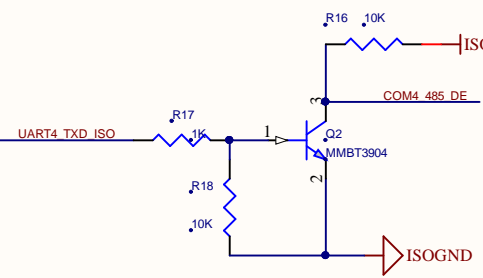
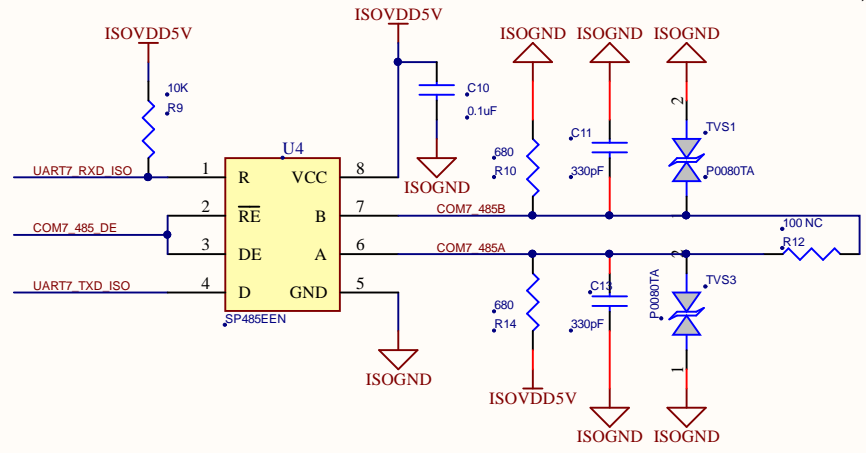
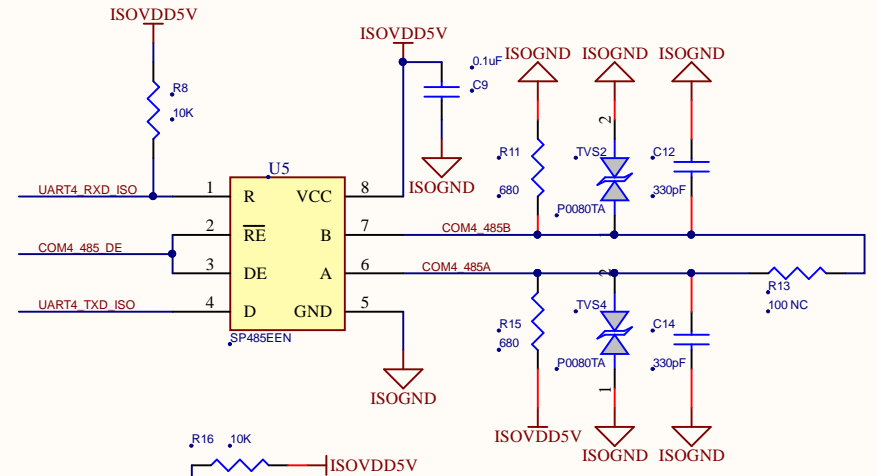
NSI8121N1

隔离485-1

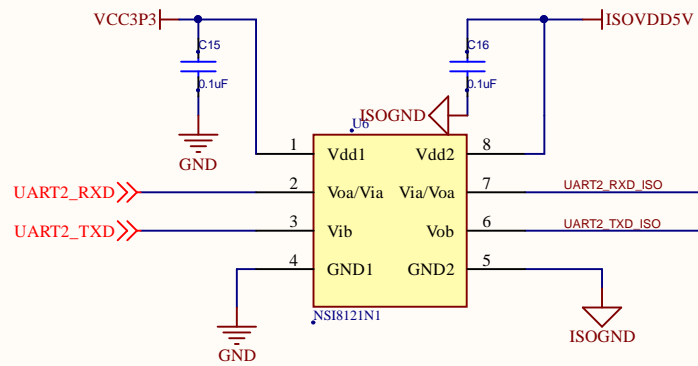


NSI8121N1

隔离485-2

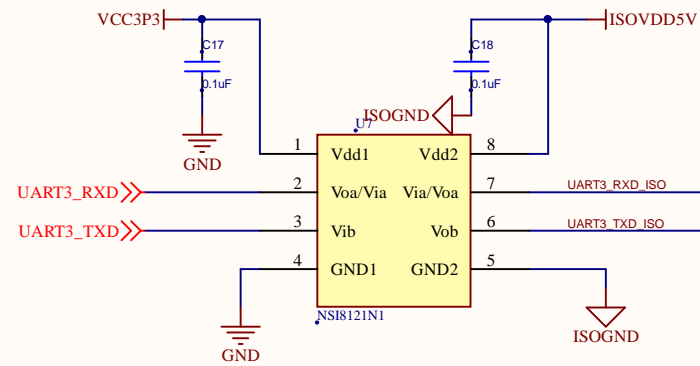


Title		
Size	Number	Revision
A4		
Date:	2020年07月09日 星期四	Sheet of
File:	F:\h6ul\12_ISO485.SchDoc	Drawn By:

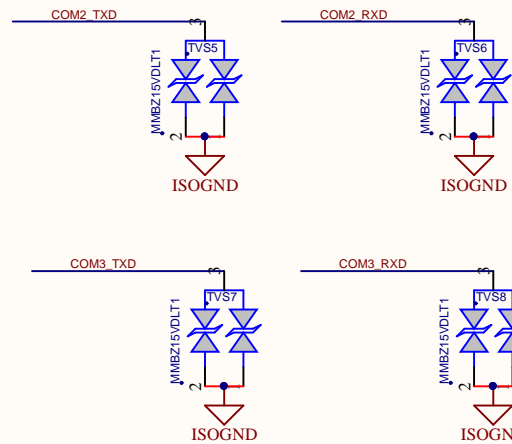
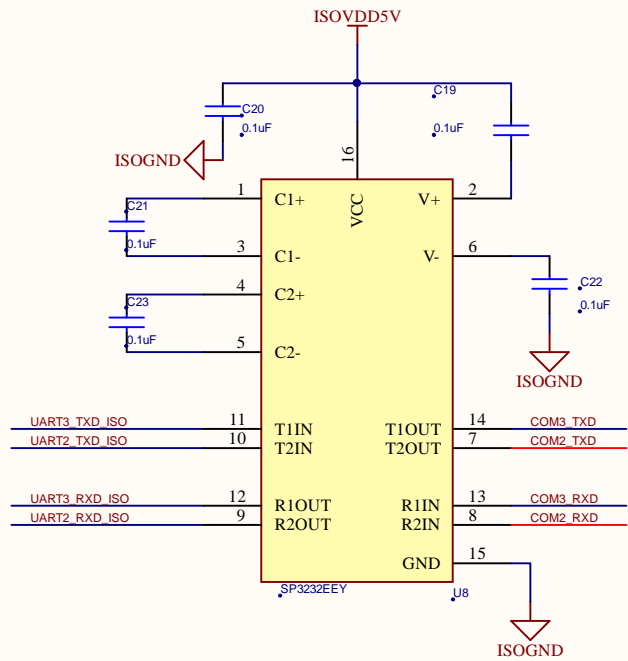


NSI8121N1是国产隔离芯片，管脚兼容ADUM1201

隔离232-1

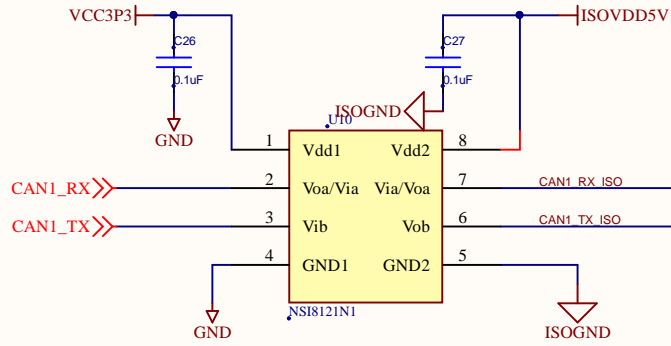


隔离232-2

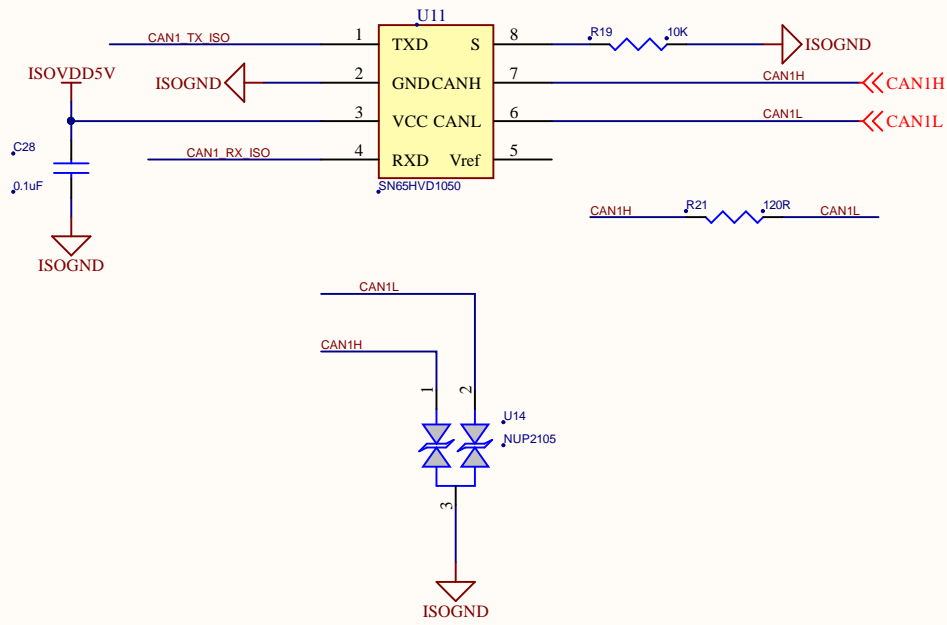


Title		
Size	Number	Revision
A4		
Date:	2020年07月09日 星期四	Sheet of
File:	F:\h6ul\13_ISO232.SchDoc	Drawn By:

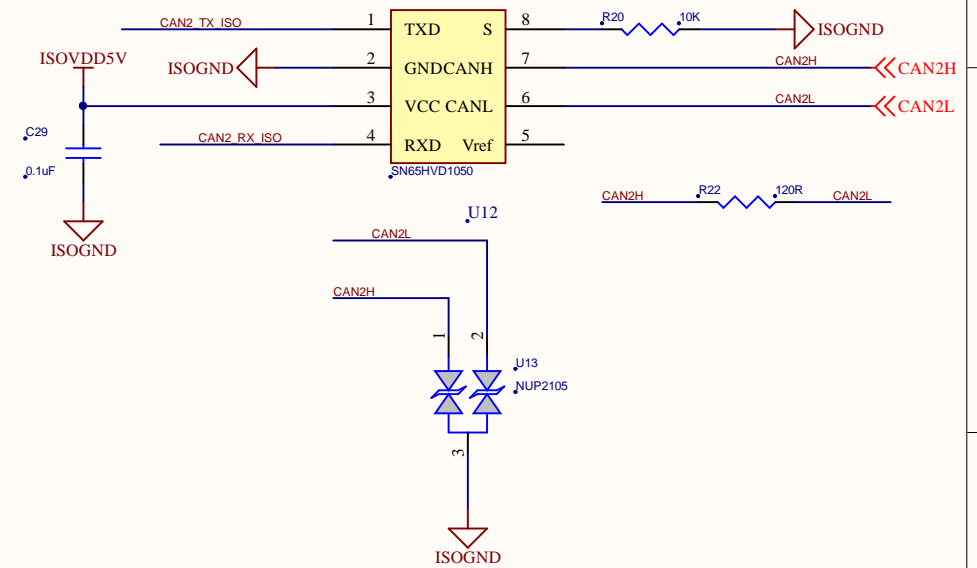
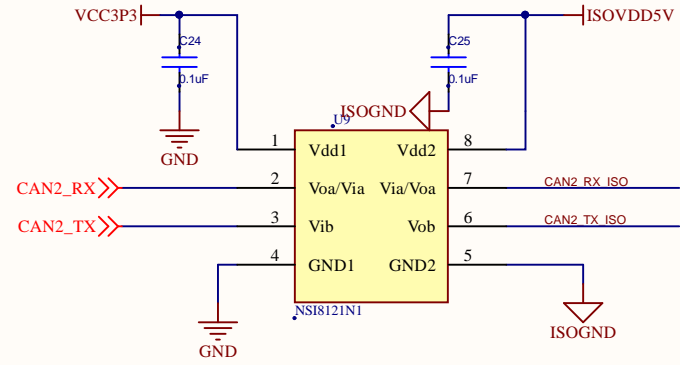
# 隔离CAN-1



NSI8121N1是国产隔离芯片，管脚兼容ADUM1201



# 隔离CAN-2



Title		
Size	Number	Revision
A4		
Date:	2020年07月09日 星期四	Sheet of
File:	F:\h6ul\4_ISOCAN.SchDoc	Drawn By:

1

2

3

4

A

A

Designator  
1\_interface.SchDoc



B

B

Designator  
2\_ISO485.SchDoc



C

C

Designator  
3\_ISO232.SchDoc



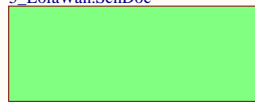
Designator  
4\_ISOCAN.SchDoc



D

D

Designator  
5\_LoraWan.SchDoc



Title		
Size A4	Number	Revision
Date:	2020年07月09日 星期四	Sheet of
File:	F:\h6ul\main.SchDoc	Drawn By:

1

2

3

4

P5  
CAN2L CAN2H CAN1L CAN1H I GND RX2 TX2 I GND RX1 TX1 B2 B2 B1 B1

TUS1 TUS2 TUS3 TUS4  
R10 R11 R12 R13 R14 R15 R16 R17 R18  
C11 C12 C13 C14 C15 C16 C17 C18 C19 C20  
Q1 Q2 Q3 Q4  
U1 U2 U3 U4 U5 U6 U7 U8 U9 U10 U11 U12 U13 U14

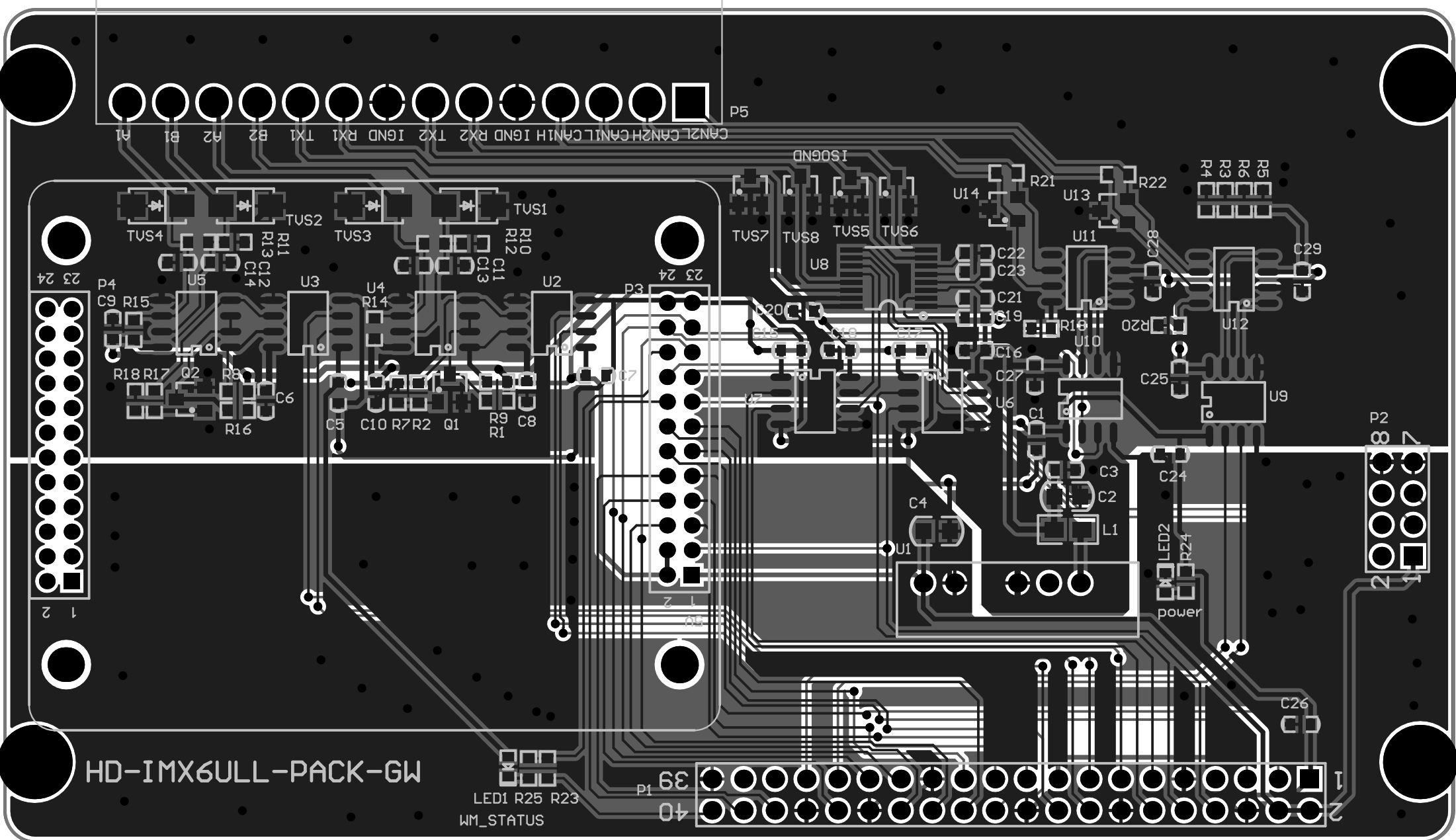
HD-IMX6ULL-PACK-GW

LED1 R25 R23  
WM\_STATUS

P1  
39 40

P2  
8 7 2 1

power



Comment	Description	Designator	Footprint	LibRef	Quantity
0.1uF	Capacitor 0.01uF 16V 10% 0402, [NoValue]	C1, C3, C5, C7, C8, [NoValue], C9, C10, C15, C16, [NoValue], C17, C18, C19, [NoValue], C20, C21, C22, [NoValue], C23, C24, C25, [NoValue], C26, C27, C28, C29	C0603	0.01uFCapacitor16 V10%0402, CAP, C0603	22
10uF		C2, C4	C0805	CAP	2
330pF		C6, C11, C12, C13, C14	C0603	C0603	5
FB	IND-FB- A600@100MHz- 0603	L1	R0805	FB	1
LED-RED		LED1, LED2	LED_0603	OED-EL	2
Header 20X2H	Header, 20-Pin, Dual row, Right Angle	P1	HDR2X20	Header 20X2H	1
Header 4X2H	Header, 4-Pin, Dual row, Right Angle	P2	HDR2X4	Header 4X2H	1
Header 12X2H	Header, 12-Pin, Dual row, Right Angle	P3	HDR2X12	Header 12X2H	1
Header 12X2H	Header, 12-Pin, Dual row, Right Angle	P4	4g_kuozhan	Header 12X2H	1
Header 14	Header, 14-Pin	P5	3.5-14p-弯针	Header 14	1
MMBT3904		Q1, Q2	SOT23	2N3904	2
10K		R1, R7, R8, R9, R16, R18, R19, R20	R0603	R0603	8
1K		R2, R3, R4, R5, R6, R17	R0603	R0603	6
680		R10, R11, R14, R15	R0603	R0603	4
100 NC		R12, R13	R0603	R0603	2
120R		R21, R22	R0603	R0603	2
4.7K	RES 22E 1/16W 5% 0402	R23, R24, R25	R0603	RESISTOR_Dup2	3
P0080TA	FUSE ESD SUPPRESSORS 0603	TVS1, TVS2, TVS3, TVS4	SMA	BS0060M	4
MMBZ15VDLT1	FUSE ESD SUPPRESSORS 0603	TVS5, TVS6, TVS7, TVS8	SOT23	FUSE_PGB001_0	4
B0505LS-1WR2		U1	B0505LS-1WR2	B0505LD-1W_0	1
NSI8121N1		U2, U3, U6, U7, U9, U10	SOIC-8_150MIL	ADUM1201ARZ_0	6
SP485EEN		U4, U5	SOIC-8_150MIL	SN65LBC184	2
SP3232EEY		U8	TSSOP-16_L5.0- W4.4-P0.65-LS6.4- BL	MAX3232_0	1
SN65HVD1050		U11, U12	SOIC-8_150MIL	SN65HVD1050	2
NUP2105	FUSE ESD SUPPRES	U13, U14	SOT23	FUSE_PGB001_0	2