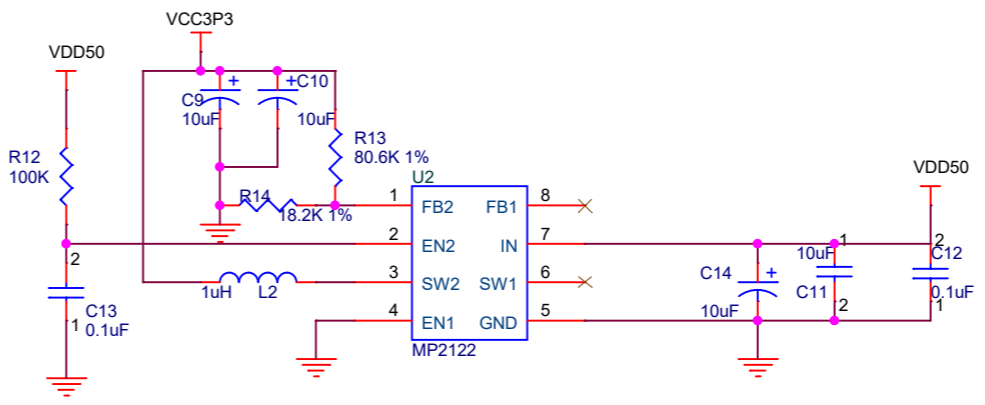
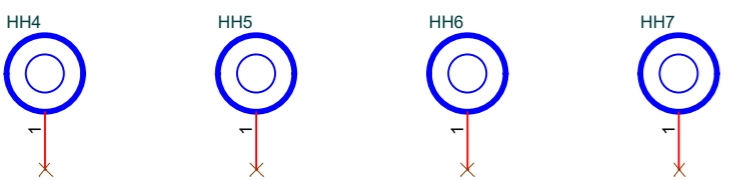
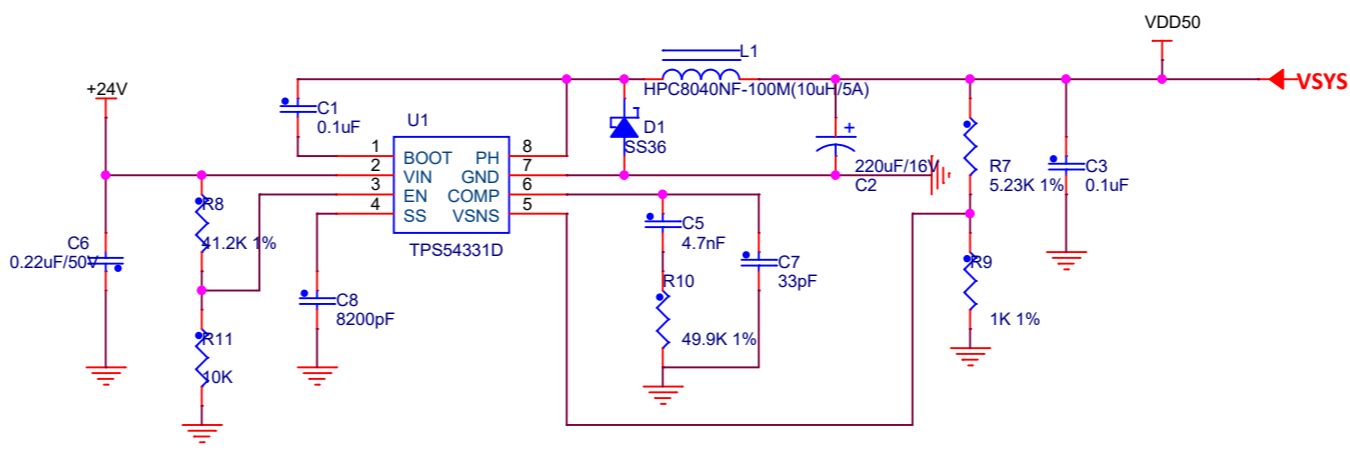
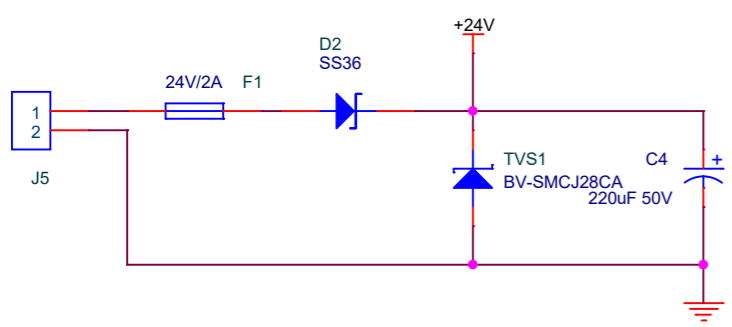


模式	eMMC 启动	SD 卡启动	升级 eMMC	升级 SD 卡
1 2				
3 4				
5 6				
7 8				
9 10				
11 12				

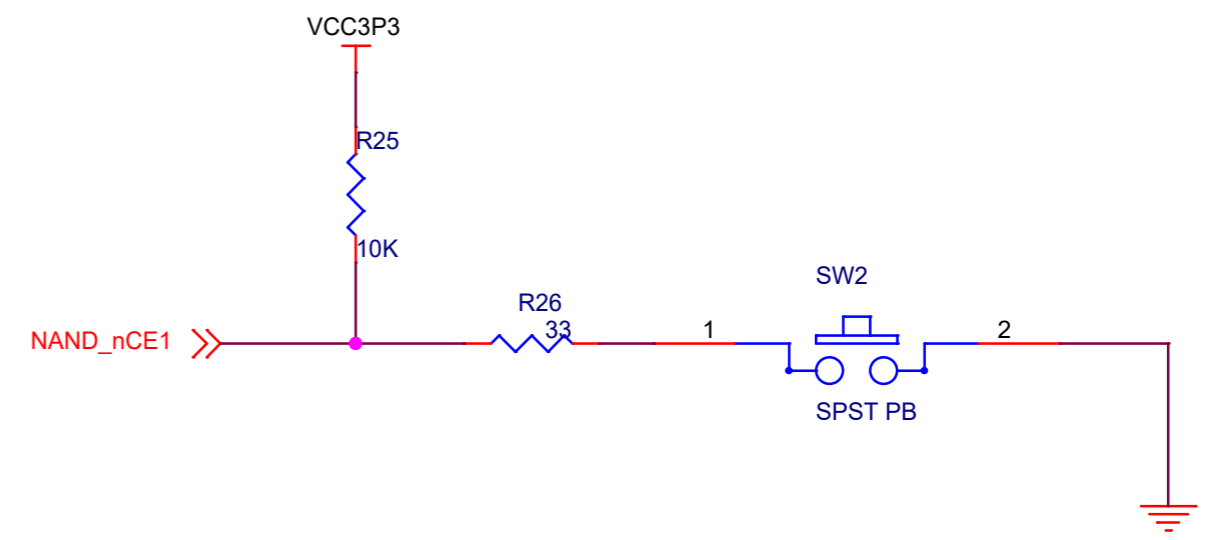
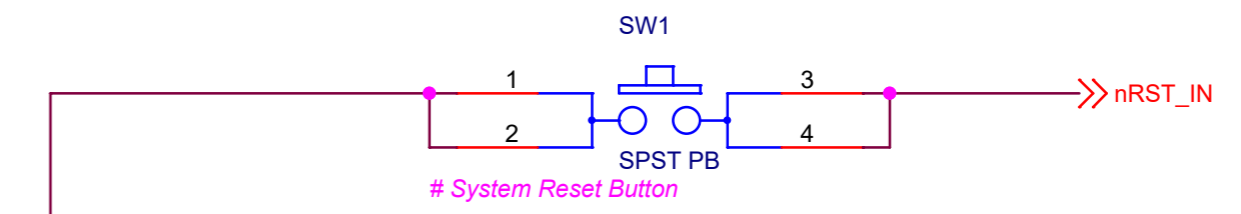
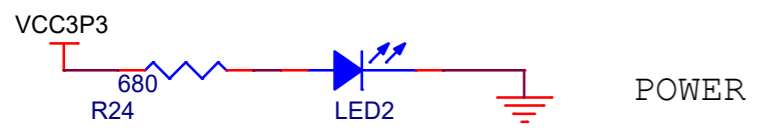
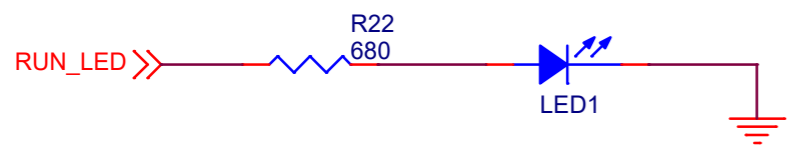
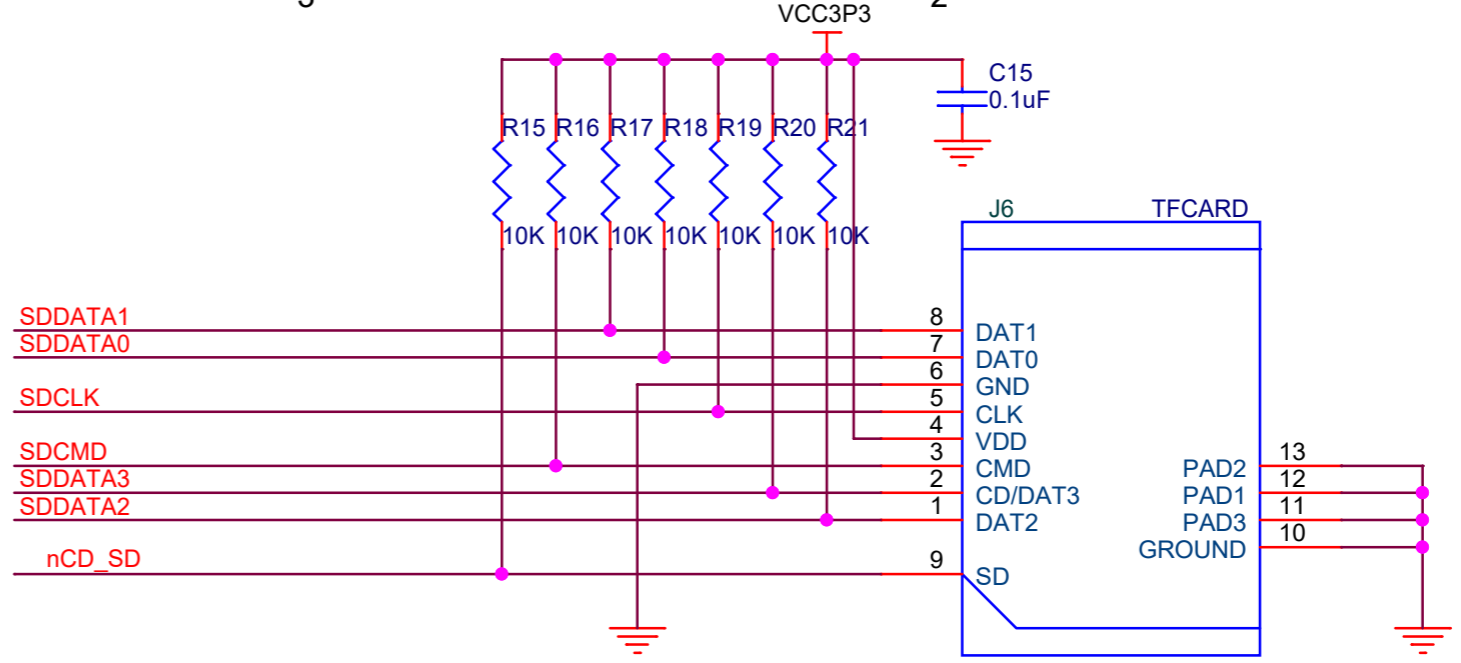
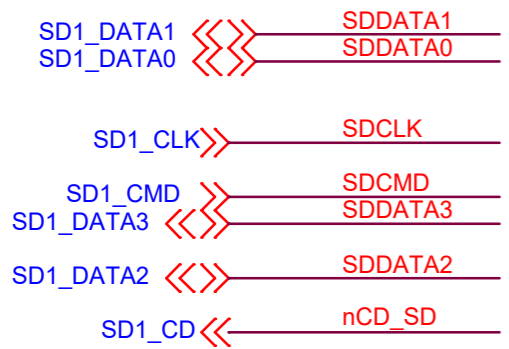
序号	WDG	使能 WDG	关闭 WDG
13 14			

: 跳线帽连接
 : 跳线帽断开

注：由于核心板上默认关闭了 WDG 功能。所以 WDG 功能无法使用跳线帽开启，如需使用 WDG 功能可与我们联系。

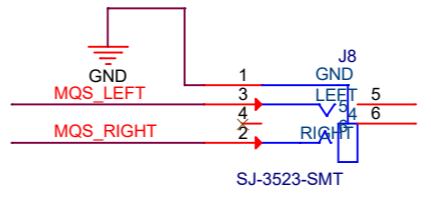
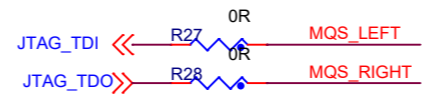
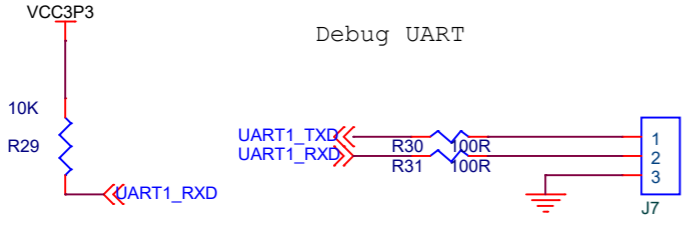


Title Power		
Size A3	Document Number SC-IMX6UL-EVM	Rev v1.0
Date: Sunday, June 07, 2020	Sheet 2	of 13



Title		
SD & JTAG & LED		
Size	Document Number	Rev
A4	SC-IMX6UL-EVM	v1.0
Date:	Sunday, June 07, 2020	Sheet 3 of 13

D

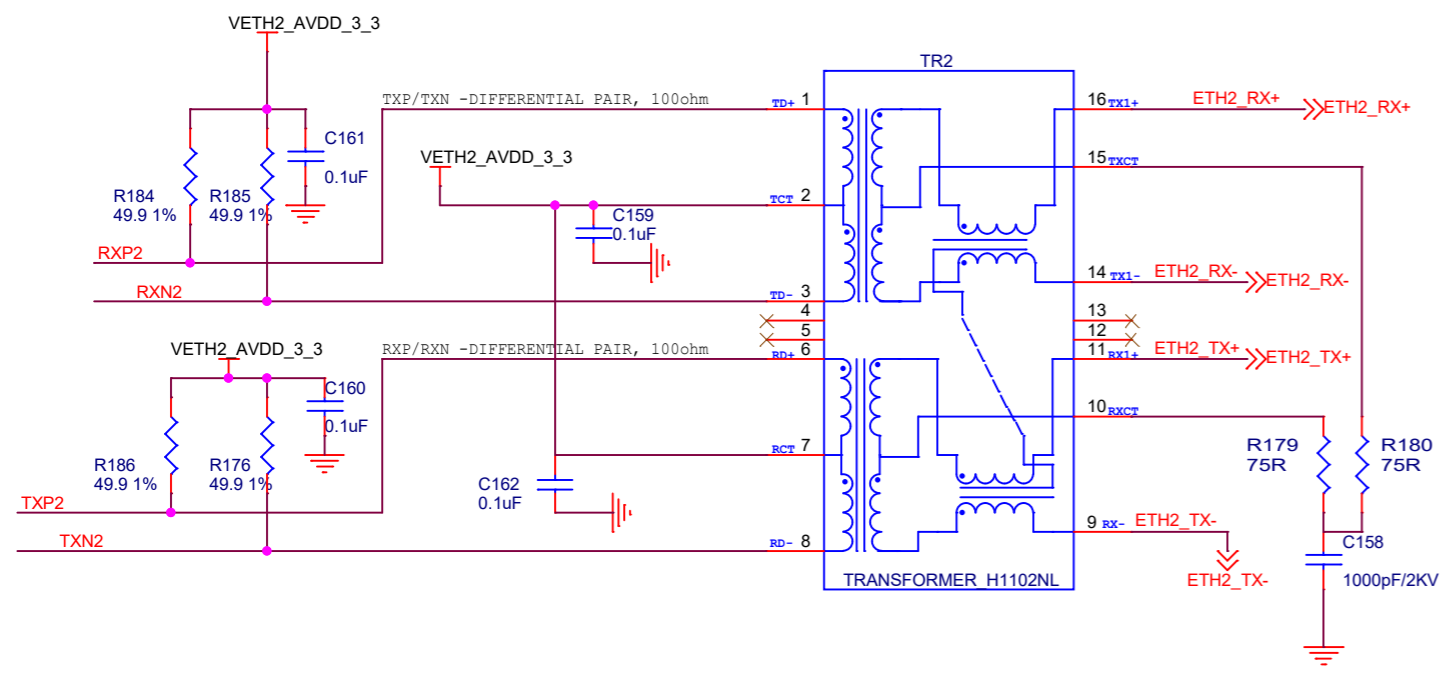
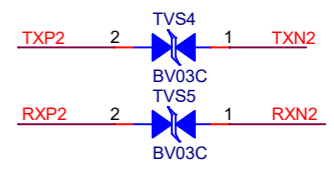
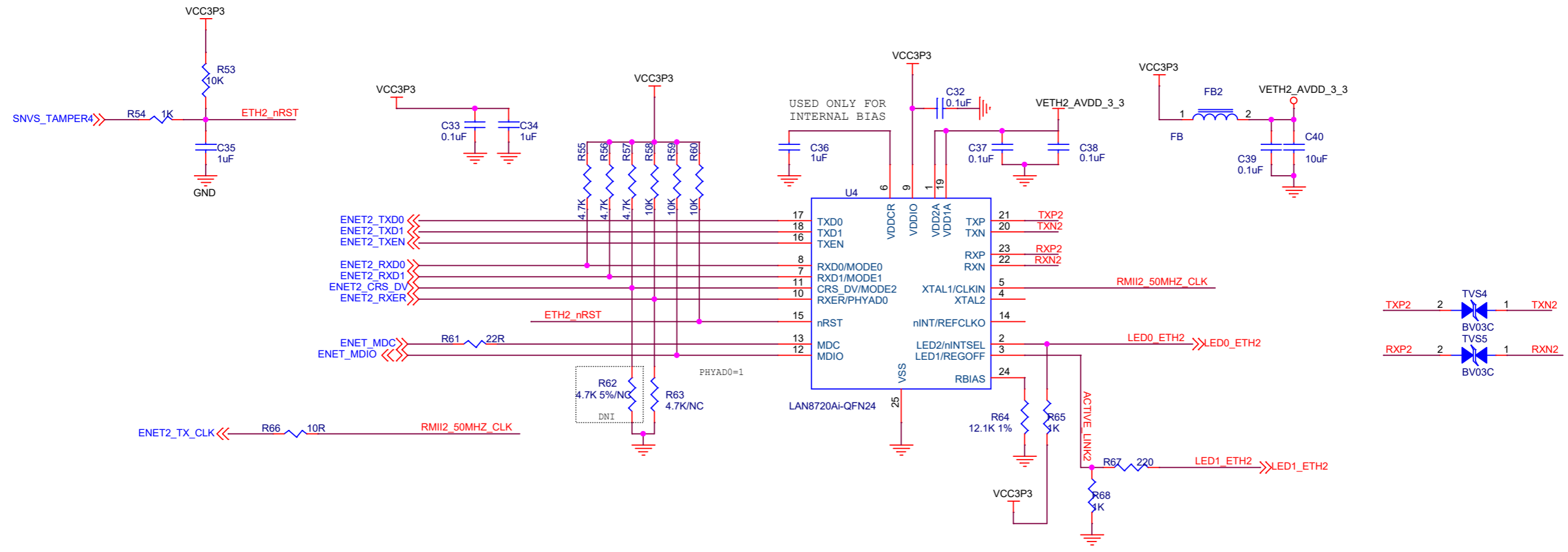


C

B

A

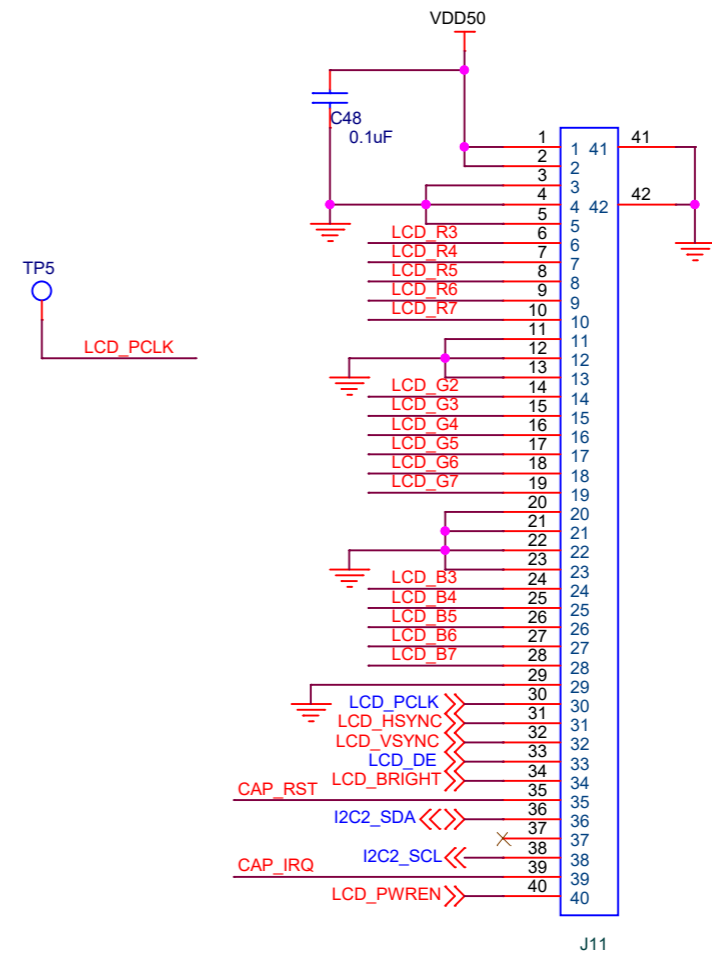
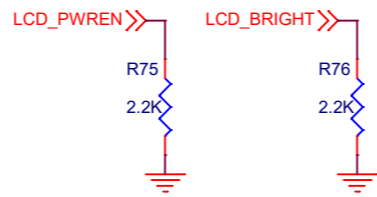
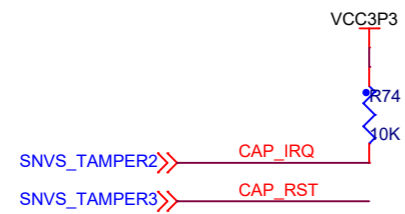
Title		
Serial Port		
Size	Document Number	Rev
A3	SC-IMX6UL-EVM	v1.0
Date:	Sunday, June 07, 2020	Sheet 4 of 13

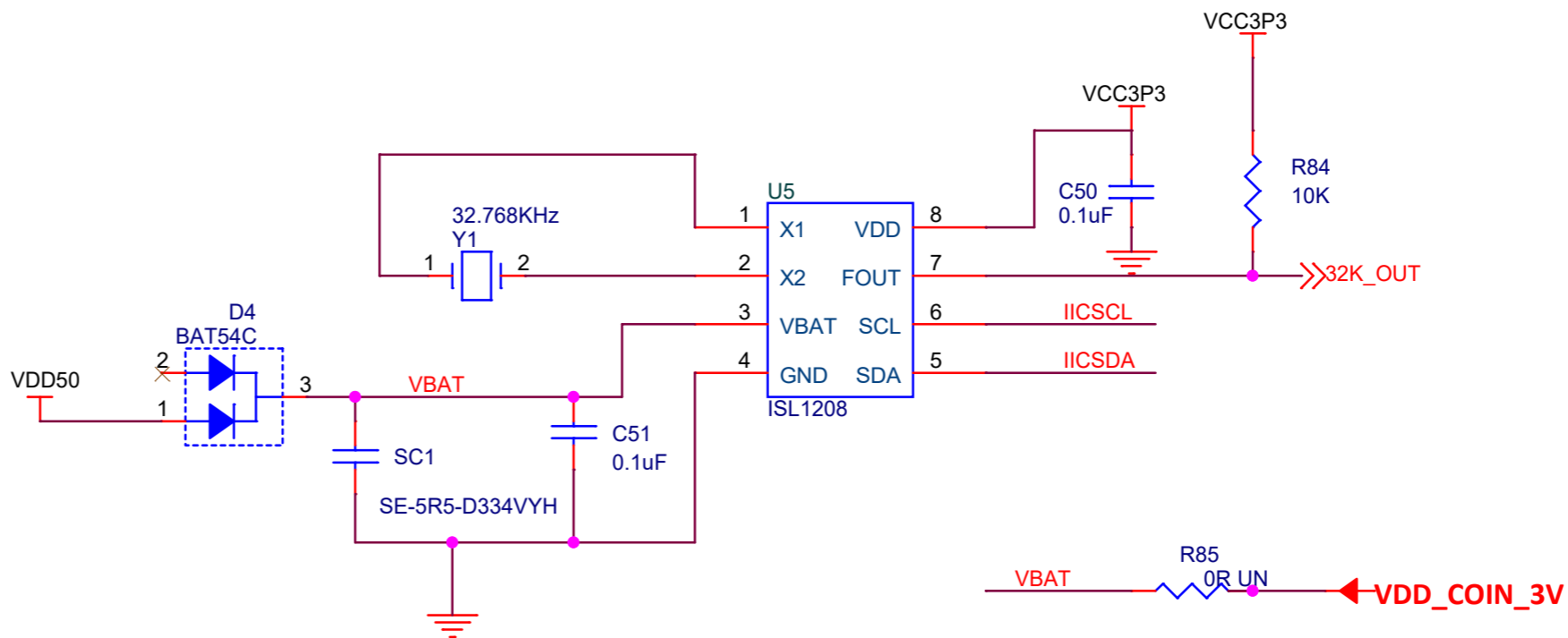
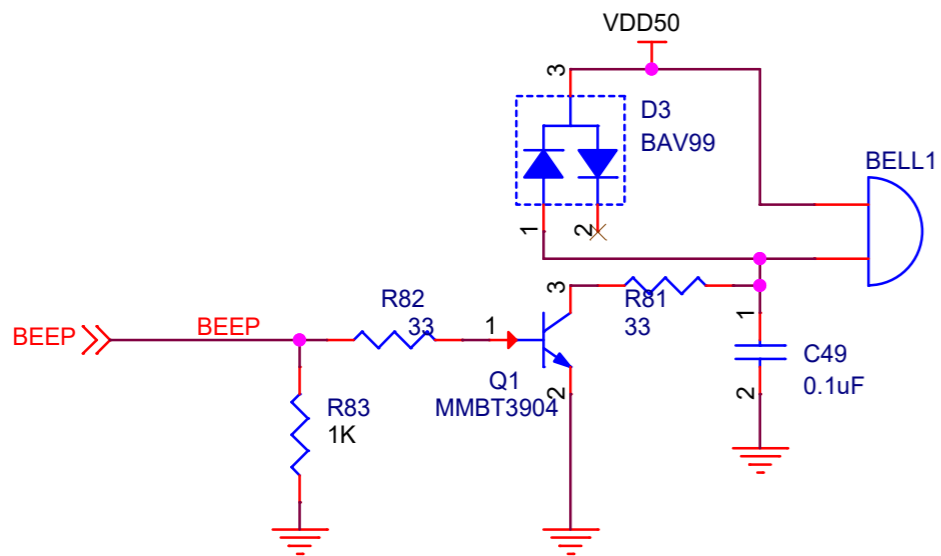
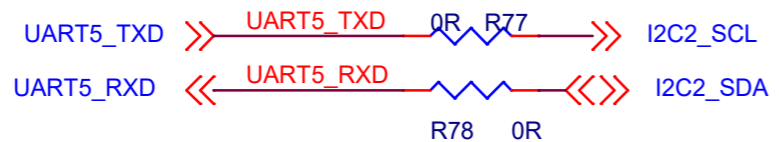


Title		
LAN2		
Size	Document Number	Rev
A3	SC-IMX6UL-EVM	v1.0
Date:	Sunday, June 07, 2020	Sheet 6 of 13

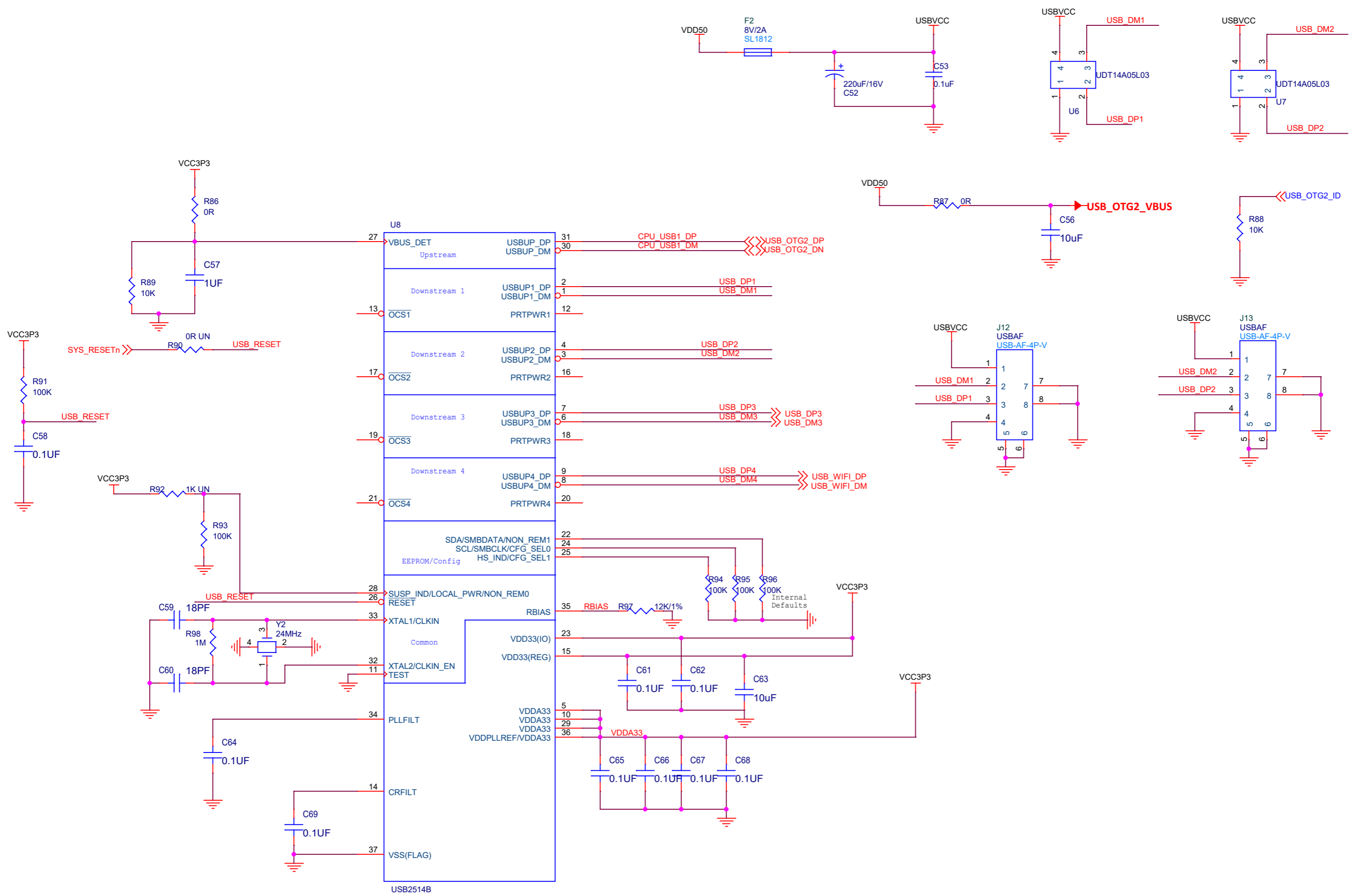
← LCD_DATA[23:0]

LCD_DATA0	LCD_B3
LCD_DATA1	LCD_B4
LCD_DATA2	LCD_B5
LCD_DATA3	LCD_B6
LCD_DATA4	LCD_B7
LCD_DATA5	LCD_G2
LCD_DATA6	LCD_G3
LCD_DATA7	LCD_G4
LCD_DATA8	LCD_G5
LCD_DATA9	LCD_G6
LCD_DATA10	LCD_G7
LCD_DATA11	LCD_R3
LCD_DATA12	LCD_R4
LCD_DATA13	LCD_R5
LCD_DATA14	LCD_R6
LCD_DATA15	LCD_R7

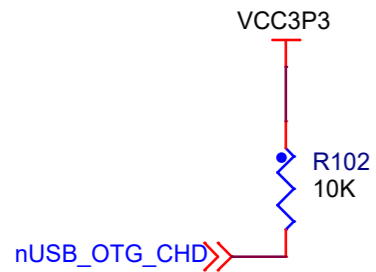
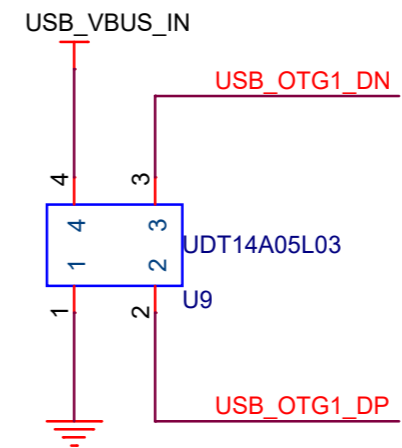
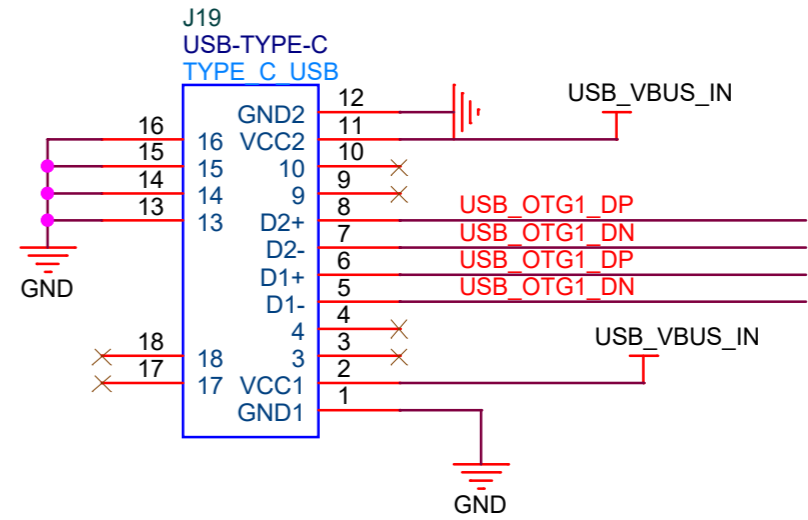
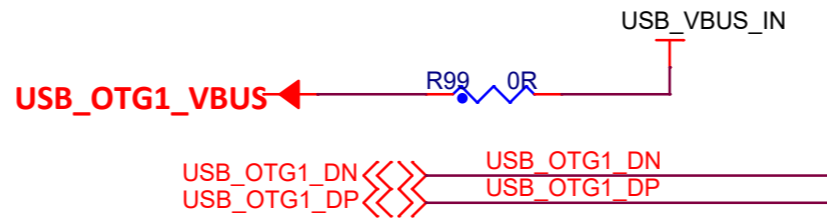
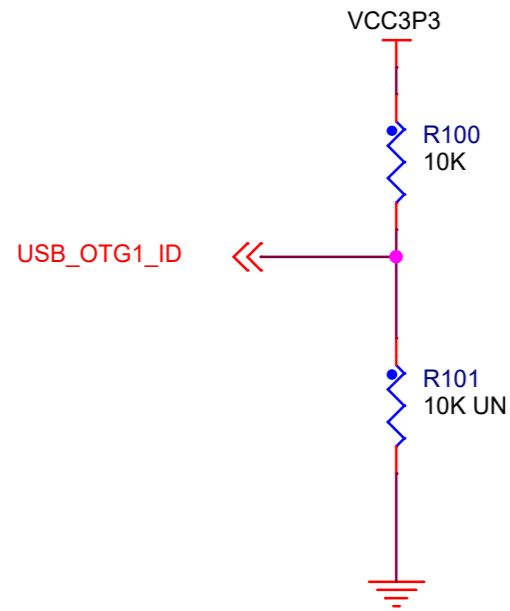




Title		
RTC & Bell		
Size	Document Number	Rev
A4	SC-IMX6UL-EVM	v1.0
Date:	Sunday, June 07, 2020	Sheet 8 of 13

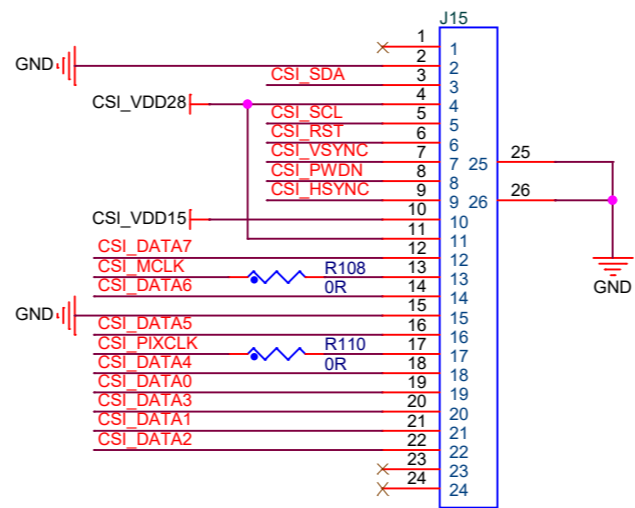
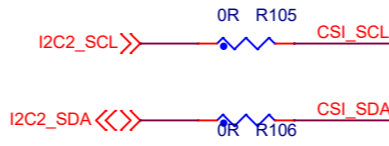
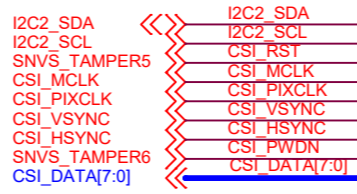
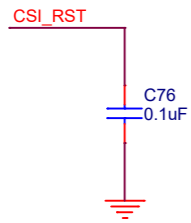
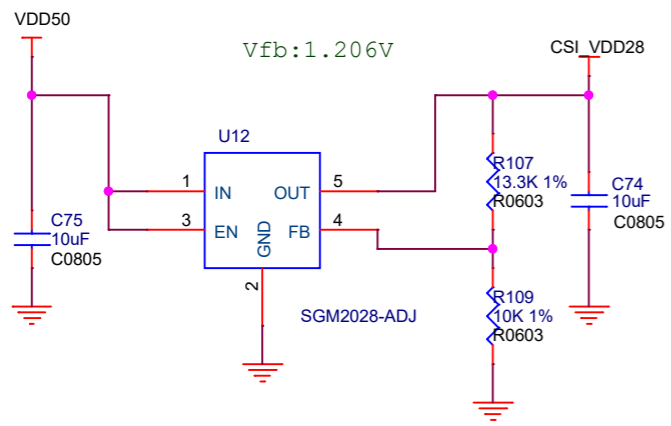
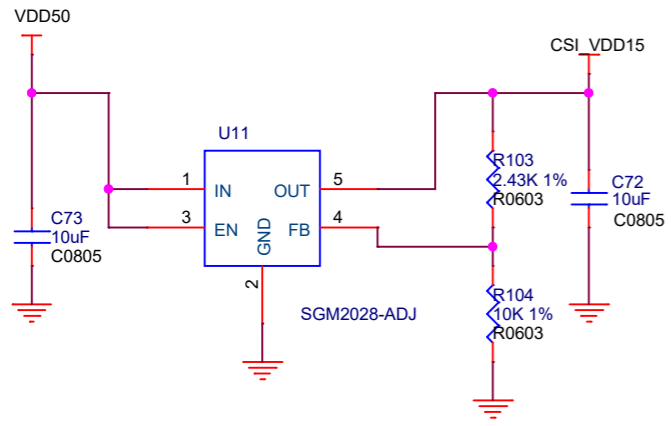


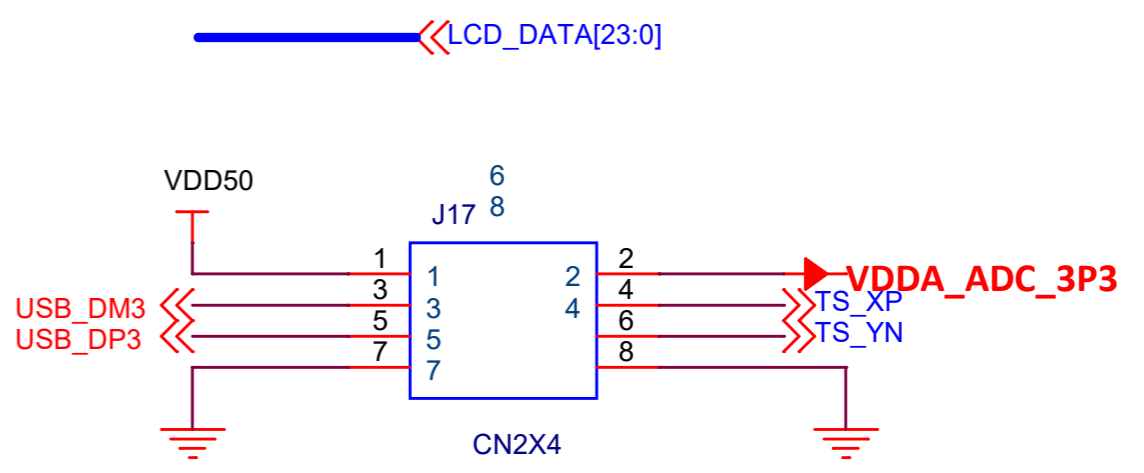
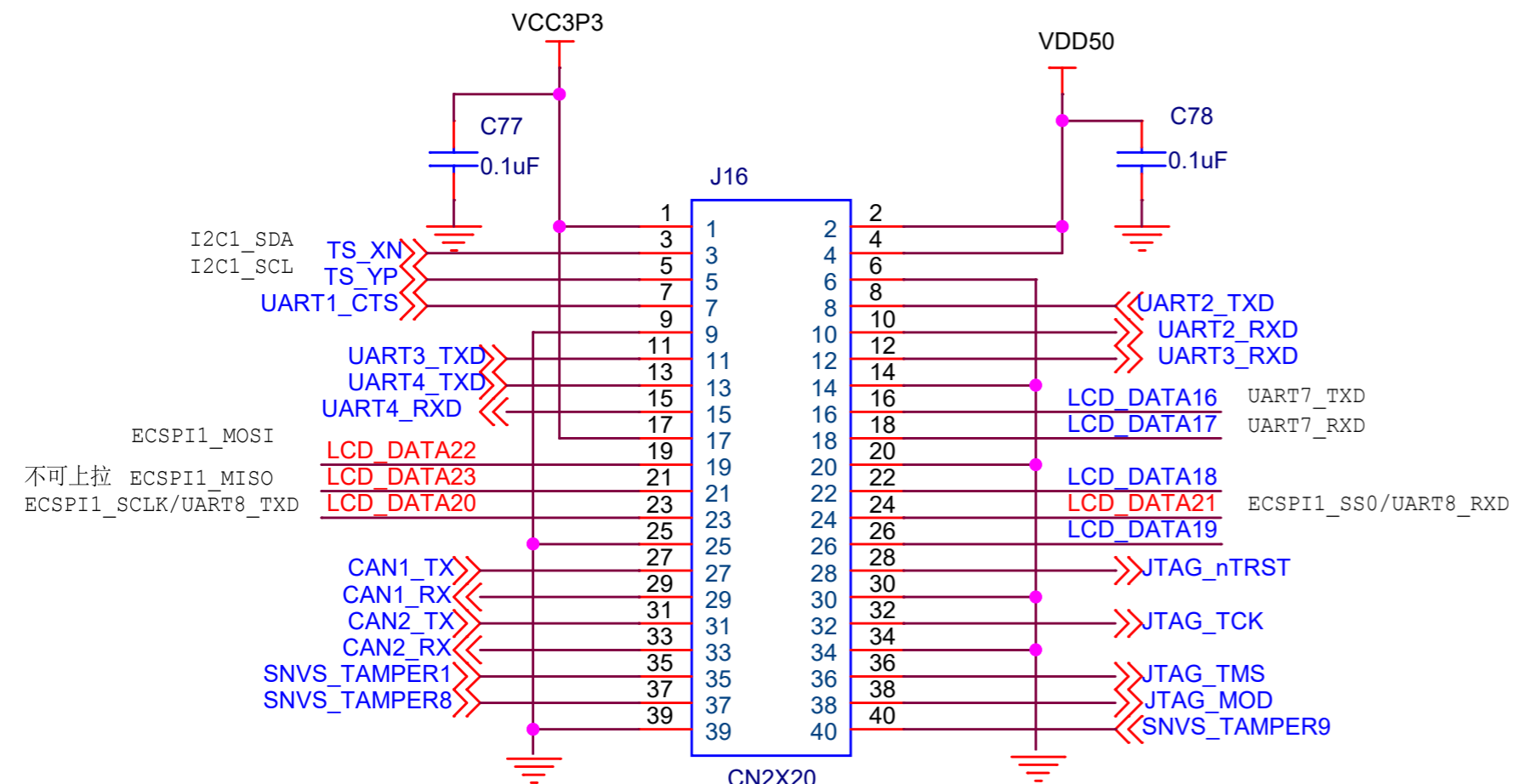
Title		
USB & Wifi		
Size	Document Number	Rev
A3	SC-IMX6UL-EVM	v1.0
Date:	Sunday, June 07, 2020	Sheet 9 of 13



Title		
USB OTG		
Size	Document Number	Rev
A4	SC-IMX6UL-EVM	v1.0
Date:	Sunday, June 07, 2020	Sheet 10 of 13

Camera





1	sys/class 编码	GPIO	功能名	物理引脚 BOARD编码		功能名	GPIO	sys/class 编码
3		3.3V	3.3V	1	2	5V	5V	
4	3	GPIO1_I003	I2C1_SDA	3	4	5V	5V	
5	2	GPIO1_I002	I2C1_SCL	5	6	GND	GND	
6	18	GPIO1_I018	GPIO1_I018	7	8	UART2_TX	GPIO1_I020	20
7		GND	GND	9	10	UART2_RX	GPIO1_I021	21
8	24	GPIO1_I024	UART3_TX	11	12	UART3_RX	GPIO1_I025	25
9	28	GPIO1_I028	UART4_TX	13	14	GND	GND	
10	29	GPIO1_I029	UART4_RX	15	16	UART7_TX	GPIO3_I021	85
11		3.3V	3.3V	17	18	UART7_RX	GPIO3_I022	86
12	91	GPIO3_I027	ECSP11_MOSI	19	20	GND	GND	
13	92	GPIO3_I028	ECSP11_MISO	21	22	GPIO3_I023	GPIO3_I023	87
14	89	GPIO3_I025	ECSP11_SCLK	23	24	ECSP11_SS0	GPIO3_I026	90
15		GND	GND	25	26	GPIO3_I024	GPIO3_I024	88
16	26	GPIO1_I026	CAN1_TX	27	28	PWM8	GPIO1_I015	15
17	27	GPIO1_I027	CAN1_RX	29	30	GND	GND	
18	22	GPIO1_I022	CAN2_TX	31	32	PWM7	GPIO1_I014	14
19	23	GPIO1_I023	CAN2_RX	33	34	GND	GND	
20	129	GPIO5_I001	GPIO5_I001	35	36	GPIO1_I011	GPIO1_I011	11
21	136	GPIO5_I008	GPIO5_I008	37	38	GPIO1_I010	GPIO1_I010	10
22		GND	GND	39	40	GPIO5_I009	GPIO5_I009	137

Title <Title>		
Size A	Document Number <Doc>	Rev <RevCode>
Date:	Sunday, June 07, 2020	Sheet 13 of 13